

# KOENIG CRANES

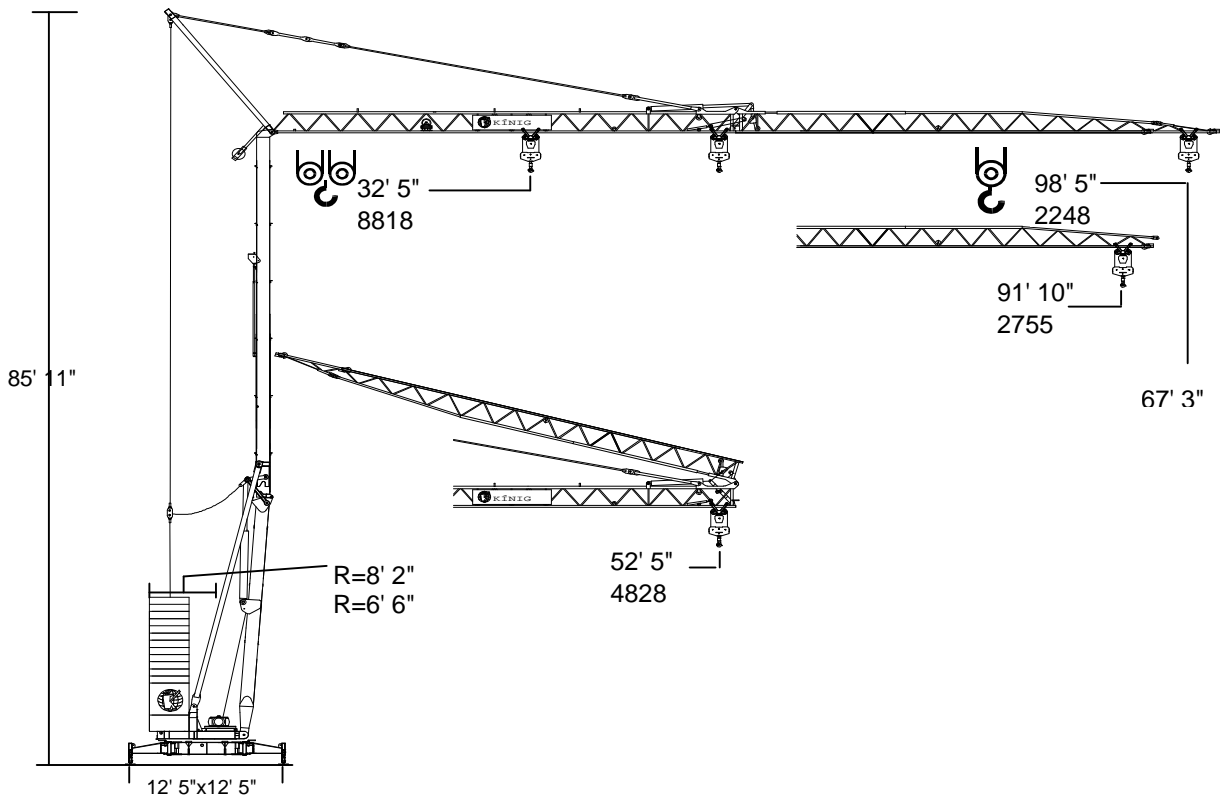
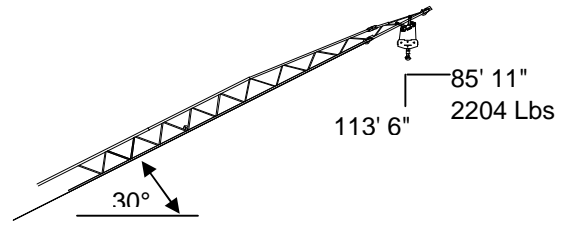
---

## North America

**Bringing Innovation To Construction**

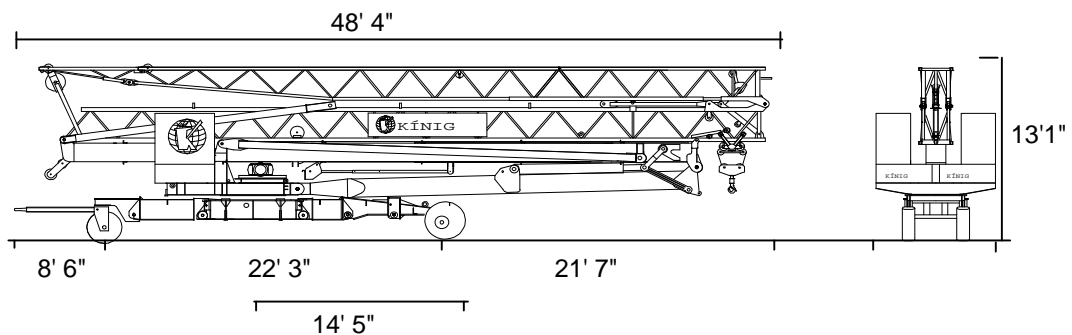
Phone: 877-852-2192 Fax: 604-852-4421  
 Email: [info@koenigcranes.com](mailto:info@koenigcranes.com) Internet: [www.koenigcranes.com](http://www.koenigcranes.com)

# K1030H-2 Technical Data





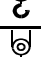

	In service	Out of service
Reactions	22 T	19.5 T





## Transport by road



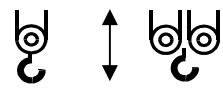
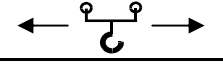

# K1030H-2 Technical Data

## Radius and capacity

Ausladung		max. Tragkr.		Ft x Lbs											
Ft	0°	T	Ft	62	65	68	72	75	78	82	85	88	91	95	98
98		2.2	56.0	4034	3791	3880	3395	3218	3064	2910	2777	2645	2535	2425	2336
91		2.2	63.0	4409	4365	4100	3880	3681	3483	3328	3174	3020	2888		
30°		Ausl. (ft)		54	57	60	63	66	68	71	74	77	80	83	86
30°		HH (ft)		95	97	98	100	102	103	105	106	108	110	111	113

Ausladung		max. Tragkr.		Ft x Lbs											
Ft	0°	T	Ft	29	32	39	45	52	59	65	72	78	85	91	98
98		2.2	56	4409	4409	4409	4409	4409	4210	3703	3284	2954	2689	2447	2248
		4.4	32	8818	8708	6900	5687	4828	4166	3659	3262	2932	2645	2403	2204
91		2.2	62	4409	4409	4409	4409	4409	4409	4210	3747	3373	3064	2799	
		4.4	35	8818	8818	7804	6437	5467	4739	4166	3703	3328	3020	2755	

## Speeds

	Step	Ft/min.	Lbs	kW
	1	19-9	4409-8818	3.5
	2	78-39	4409-8818	9
	3	157-78	2425-4850	11
	1	20		1.1
	2	40		1.5
	0-0,8	sl./min.		2.2



Cross section of cable up to  
5x10<sup>2</sup>

Operation voltage  
400 V

Frequency  
50 Hz

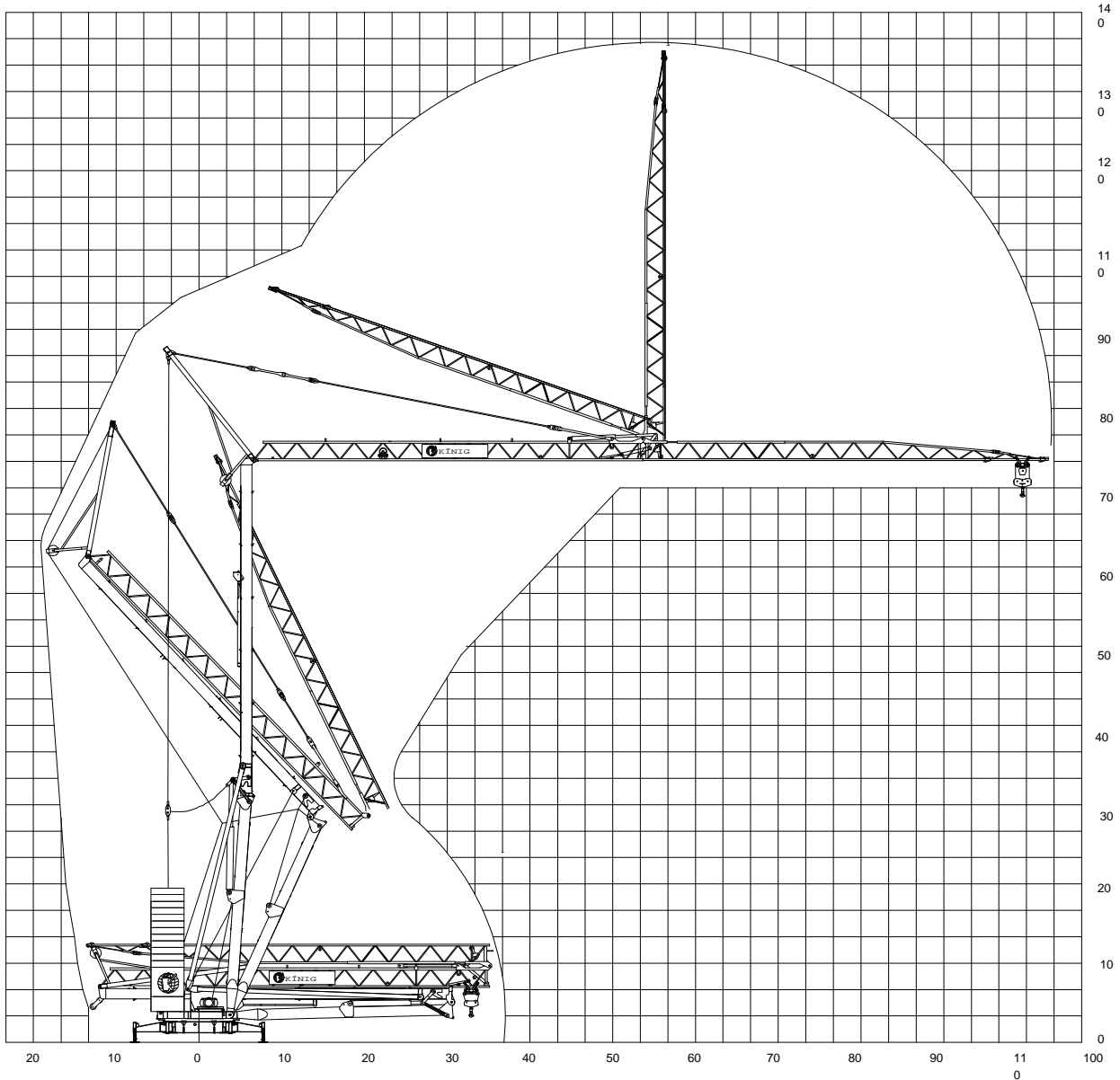
Power requirement  
23,2 kVA (14,7 KW)

## Weight

Central ballast weight	6.3 T			Transport weight approx.	21.7 T
Counterweight	R=8' 2"	9 x 1.5 T	13.8 T	Dead weight approx.	12.8 T
	R=4' 4"	11 x 1.5 T	16.9 T		

# K1030H-2 Technical Data

## Erection



**KOENIG CRANES**  
**North America**

**Bringing Innovation To Construction**

Phone: 877-852-2192 Fax: 604-852-4421  
Email: [info@koenigcranes.com](mailto:info@koenigcranes.com) Internet: [www.koenigcranes.com](http://www.koenigcranes.com)  
All measurements and weights subject to alterations